

POWERHOUSE

E-TROLLEY



Carry Bag



Score Card



Cup Holder

The **Powerhouse** E-Trolley is designed to remove the discomfort and Strain associated with carrying your Golf Clubs around a modern day Golf Course.

Folds away in under 60 seconds.
Suitable for 18 hole hilly courses.
Fitted with 20ah Battery and 150w Motor.



Light indicator in handle changes from Green, Blue and then to Red. Showing battery level.



6A High capacity charger that can be left on charge. Available as optional extra



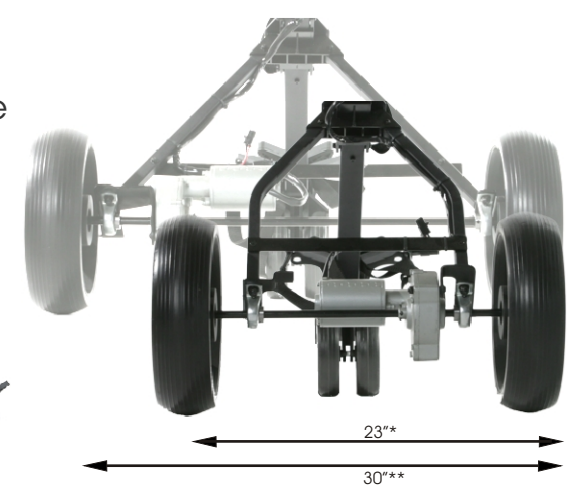
All sealed components offer hours of Maintenance free operation and minimum down time for servicing. Time hanging around in the car park is kept to a minimum with assembly under 1 minute from the boot of your car, allowing you to concentrate on getting on with your game. Quick release wheels allow for storage and transport in even the most compact of cars. The battery can be kept on the trolley at all times, even when folded.

The Standard Charger supplied, fitted with Light indicator on shows the condition of the battery, switching to trickle charge when charge is complete.

POWER
1x20 AH

POWERHOUSE COMPACT

All the benefits of our 30" Model with a wheel base of just 23"



The New quick release wheels and steel clutches ensures the **Powerhouse** E-Trolley can store away in even the smallest space!

Uses:
18 Hole Golf Course

- Contents:
- 1 x Golf Trolley
 - 1 x 20ah SFL Battery
 - 1 x Canvas battery bag
 - 1 x Charger
 - Straps
 - Tools
 - Instructions



With the 20ah battery fitted as standard the **Powerhouse** E-Trolley and is able to deal with the most demanding courses, however, for the more dedicated golfer who wants to play on well beyond the 18th, a second high capacity battery is available, from your **Powerhouse** retailer. The **Powerhouse** Compact has all the features of our 30" model, with a wheel base of just 23", a Highly compact alternative. See the comparison on previous page.

Optional extras:

Score card. Seat. Cup Holder. Canvas Carry Bag. High capacity charger. Please read enclosed leaflet for all Accessories and current prices

Specification

*Depending on terrain and load

FUNCTIONS AND SPEC		BATTERY	
Construction material	Nylon and Aluminum	Model	Lead Acid
Rear Wheel base E-Trolley	760mm (30")	Number of batteries	1
Rear Wheel base Compact	580mm (23")	Type	Sealed
Colour	Black	Capacity	20ah
Supplied with	Tool Kit, Straps, Charger and Battery	Voltage	12v
Pre-charged	Yes	Weight	6kg
Max Forward Speed	6 km/h	Charging Time	6-8 hrs
Max Reverse Speed	N/a	Guarantee	1 year pro rata
Max Load inc bag	20kg	Special Instructions	Remain Charged
*Ave. Distance per Charge	7500yds		
Net Weight	16kg		
Tyres	Airless		
Tyre Pressure	Sealed	CHARGER	
Tyre size	270mm x 90mm	Input	Details available on request
Turning Circle	N/a	Output	
Gearbox	Sealed	Indicator when charged	
Motor	150w	TERRAIN	
Brake	N/a	Climb Gradient	15 Degrees
Speed Forward	Variable forward	Terrain	General Grass and Stone
Lights	N/a	FEATURES	
Horn	N/a		Quick release wheels
Indicators	N/a		Reversible Steel Clutch
Guarantee	12 months Return to base		20 ah battery